

THIS CIRCUIT IS CHASSIS REFERENCED - 2500V HI-POT TO PRIMARY

THIS CIRCUIT IS CHASSIS REFERENCED - 2500V HI-POT TO PRIMARY

ALL CIRCUITS ON THIS PAGE ARE PRIMARY REFERENCED UNLESS OTHERWISE NOTED

WARNING

- Do not touch live electrical parts.
- Disconnect input power or stop engine before servicing.
- Do not operate with covers removed.
- Have only qualified persons install, use, or service this unit.

ELECTRIC SHOCK HAZARD

| REV | DATE | BY | ECO | REVISION DESCRIPTION |
|-----|----------|-----|------|-----------------------------------|
| B | 01-31-07 | MJB | 2317 | CHANGE C128 TO 100 NF CAP, 215490 |
| A | 09-18-06 | MJB | 2229 | INITIAL RELEASE OF 18V RELAYBD |

TOLERANCES UNLESS SPECIFIED

DEC +/-

FRAC +/-

ANLR +/-

FNSH

DRN. BY JS

DATE 9-18-06

SIZE C

DWG. NO. 231540

REV. B

FILENAME: 231540B

SHEET 1 OF 4

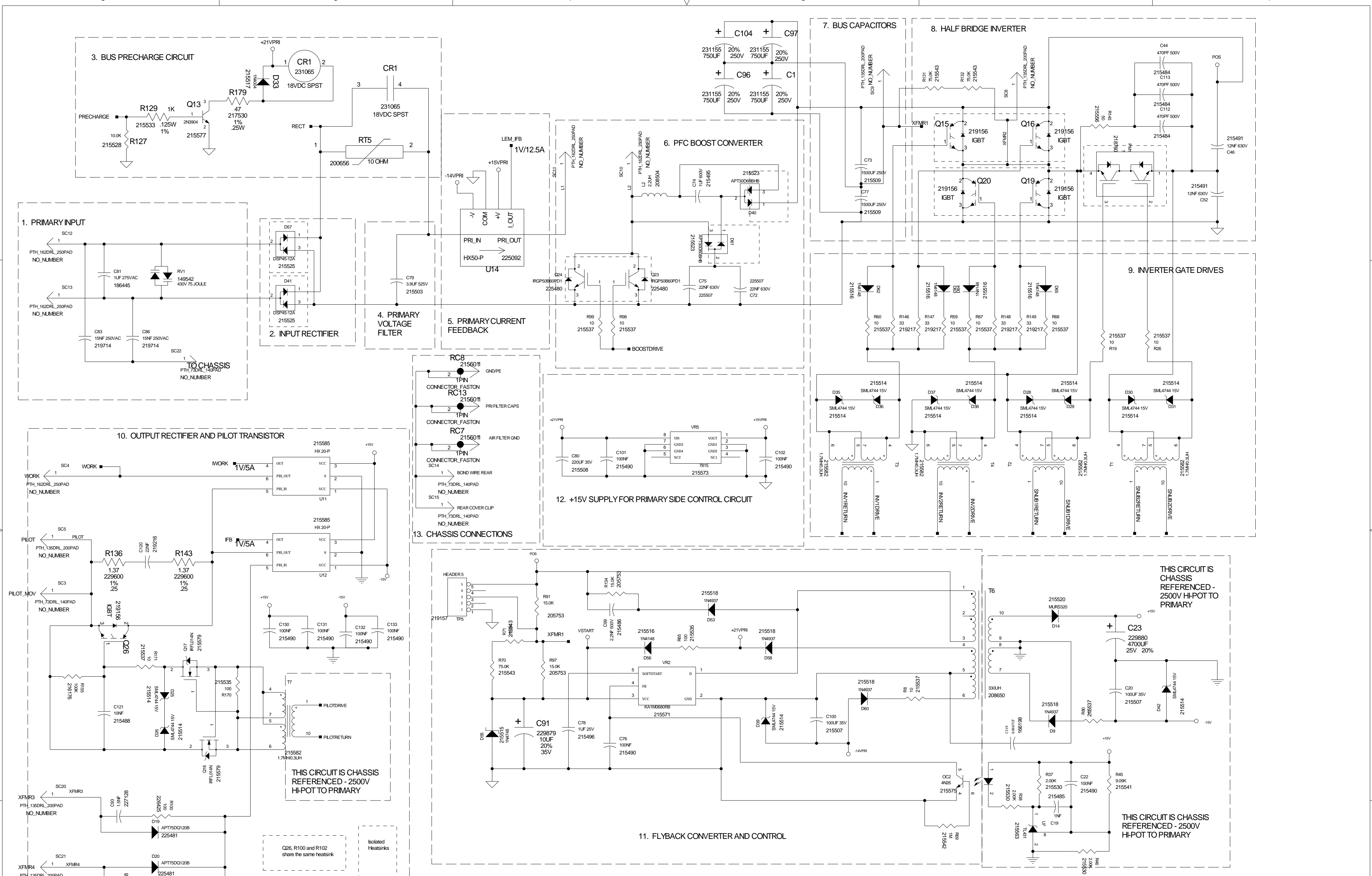
MILLER Miller Electric Mfg. Co., Appleton, WI, USA

TITLE: CIRCUIT, PRINTED WIRING BOARD SPECTRUM 375 X-TREME CONTROL

DRAWING NOT TO SCALE

CONFIDENTIAL

THIS PRINT IS AND WILL REMAIN THE PROPERTY OF MILLER ELECTRIC MFG. CO., APPLETON, WI. FURNISHED WITH THE UNDERSTANDING IT IS NOT TO BE COPIED. THIS PRINT IS FURNISHED TO ASSIST YOU IN PRODUCING OUR REQUIREMENTS ON ORDER AND TO BE RETURNED TO MILLER ELECTRIC MFG. CO. UPON OUR REQUEST.



ALL CIRCUITS ON THIS PAGE ARE PRIMARY REFERENCED UNLESS OTHERWISE NOTED

THIS PRINT IS AND WILL REMAIN THE PROPERTY OF MILLER ELECTRIC MFG. CO., APPLETON, WI. FURNISHED WITH THE UNDERSTANDING IT IS NOT TO BE COPIED. THIS PRINT IS FURNISHED TO ASSIST YOU IN PRODUCING OUR REQUIREMENTS ON ORDER AND TO BE RETURNED TO MILLER ELECTRIC MFG. CO. UPON OUR REQUEST.

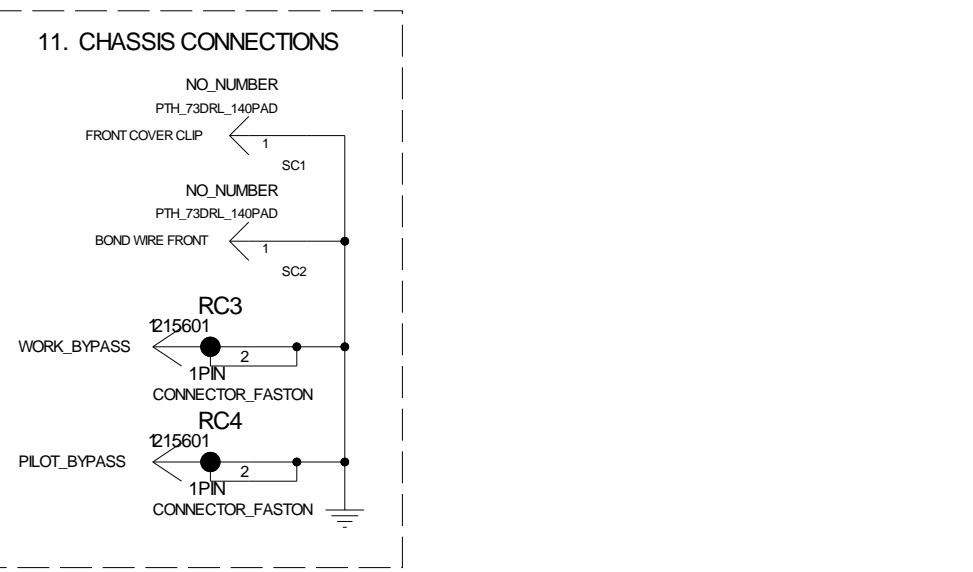
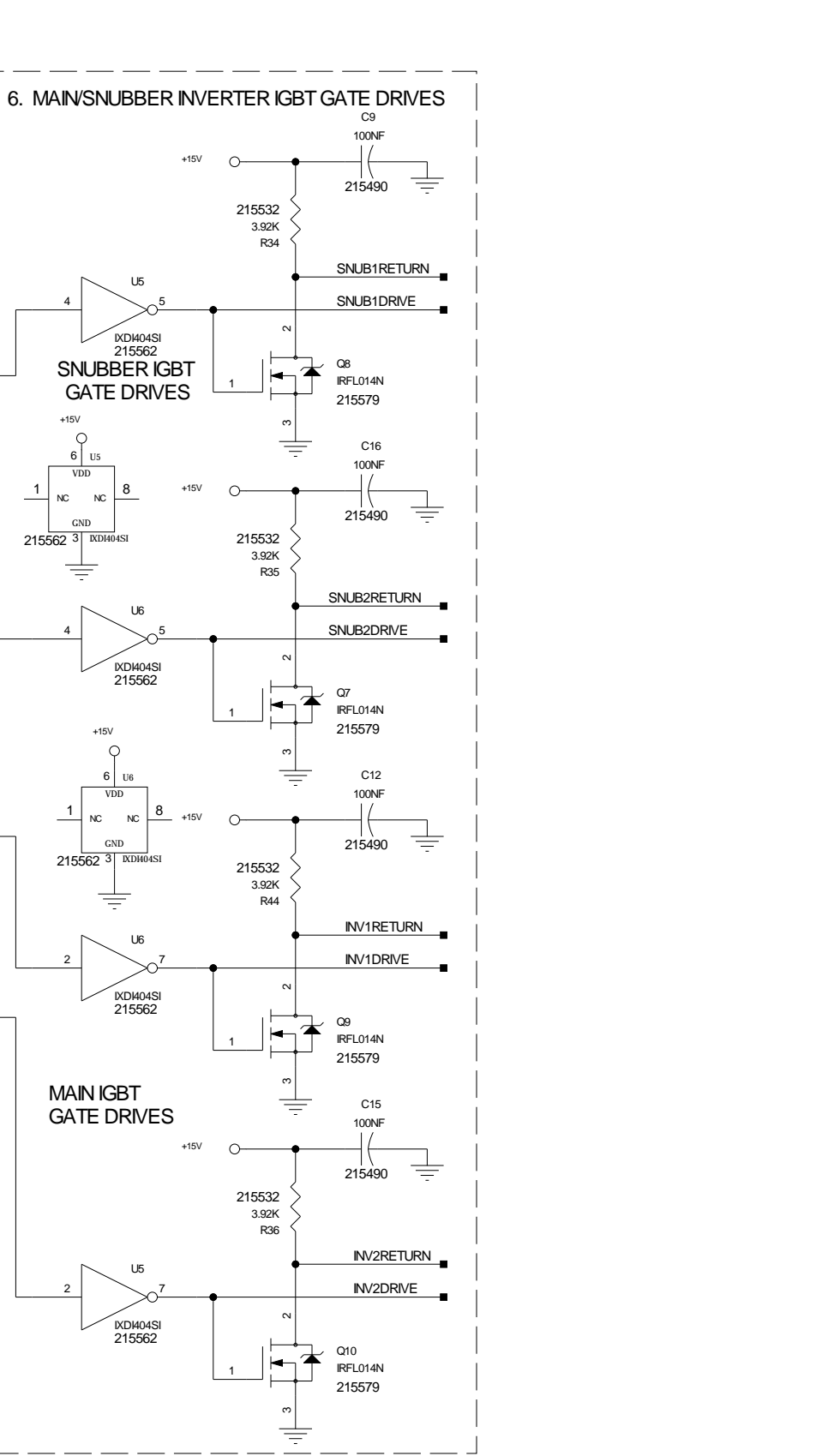
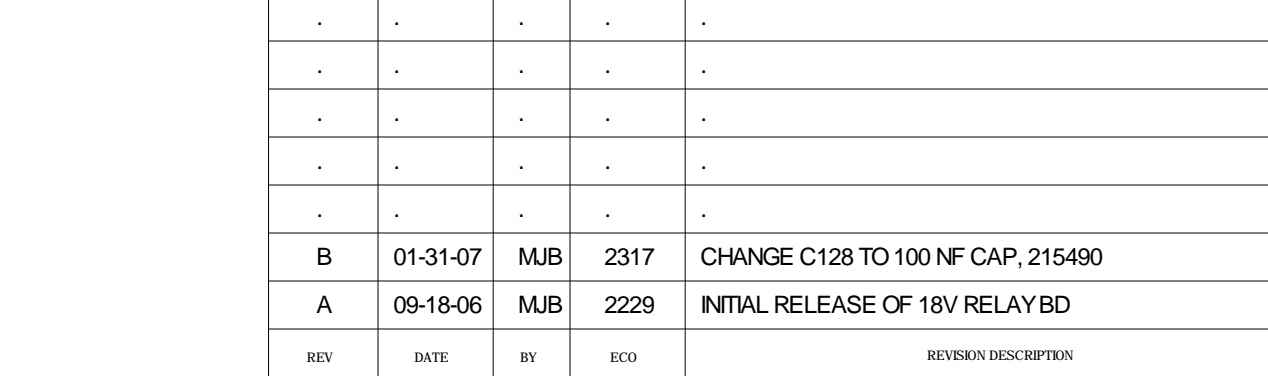
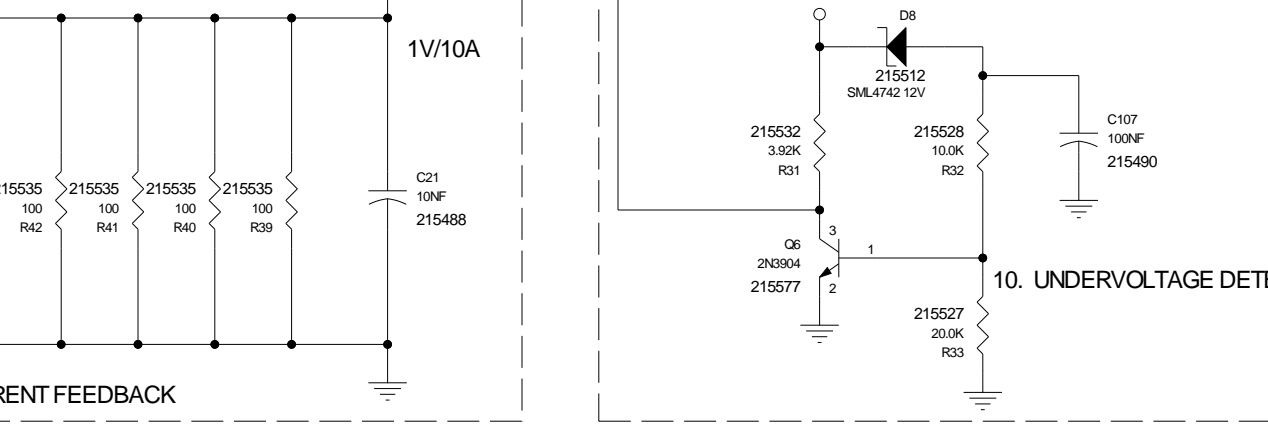
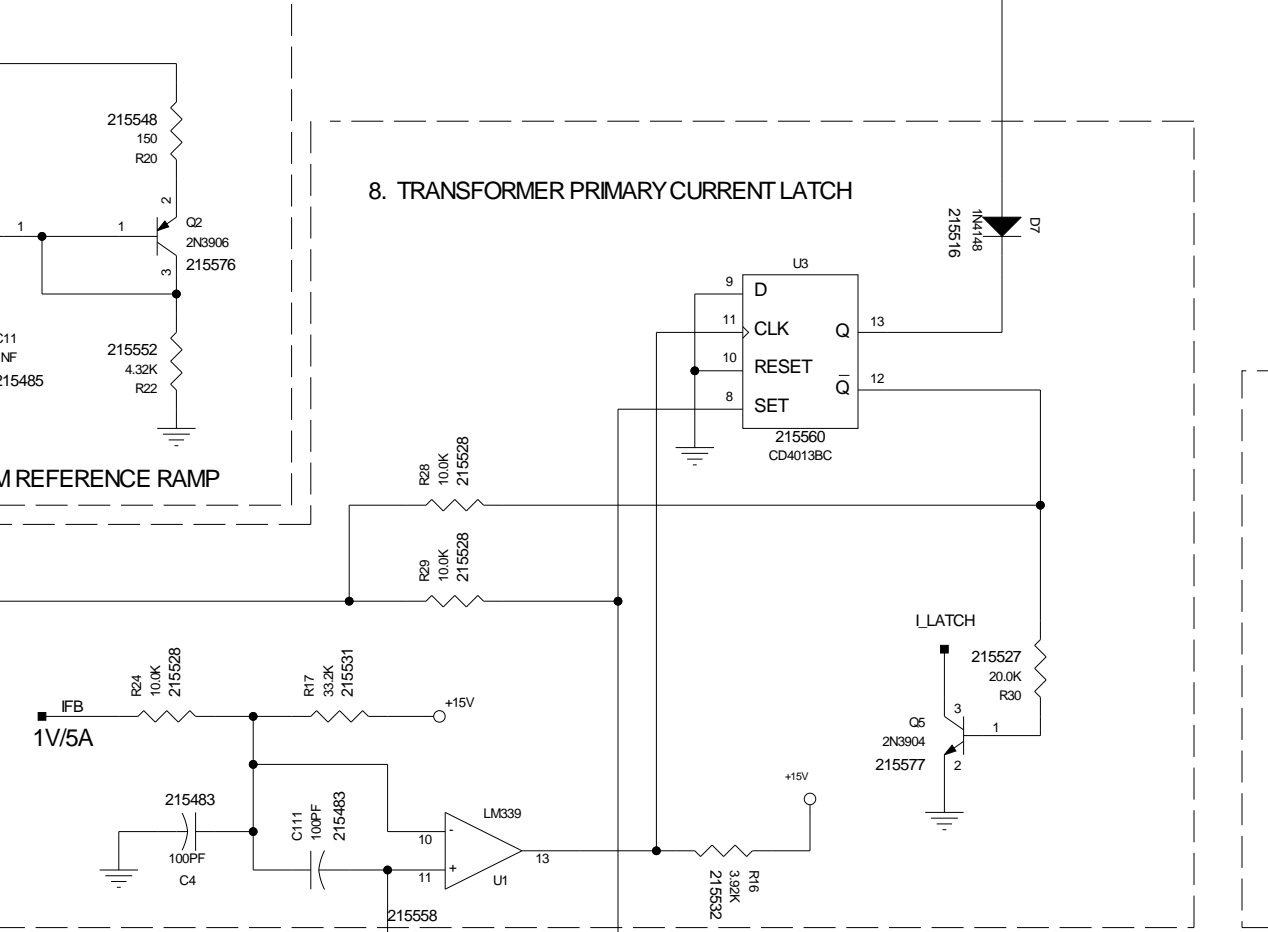
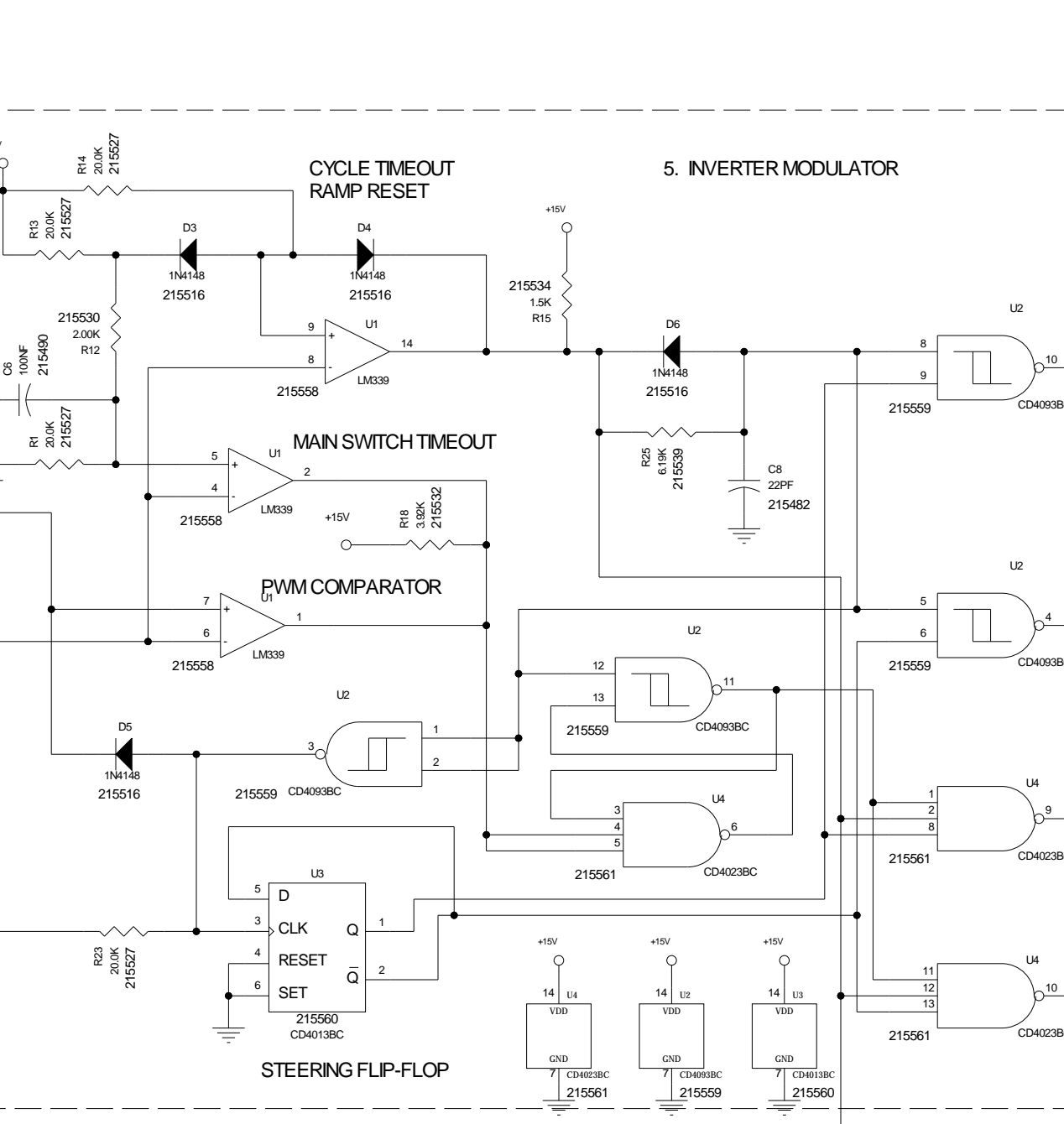
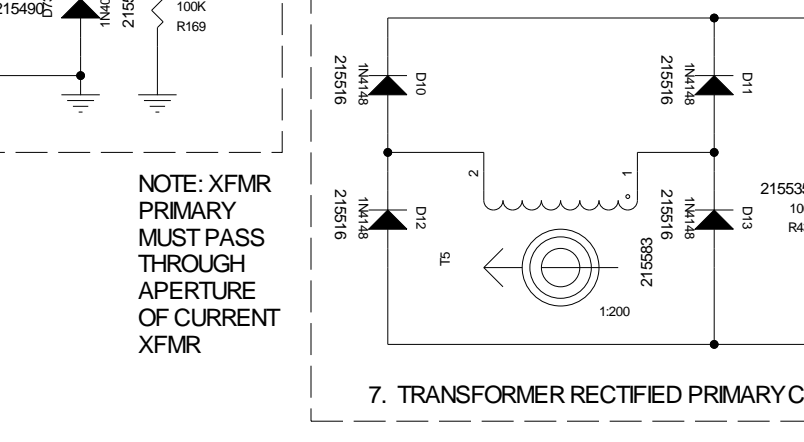
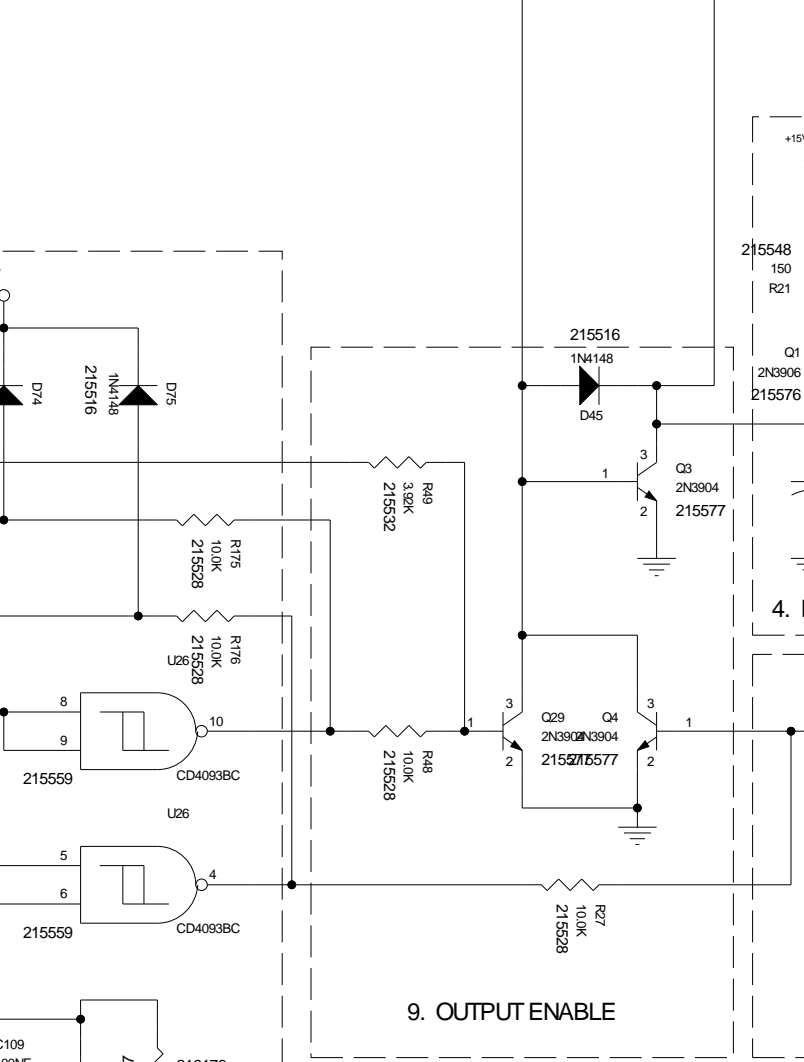
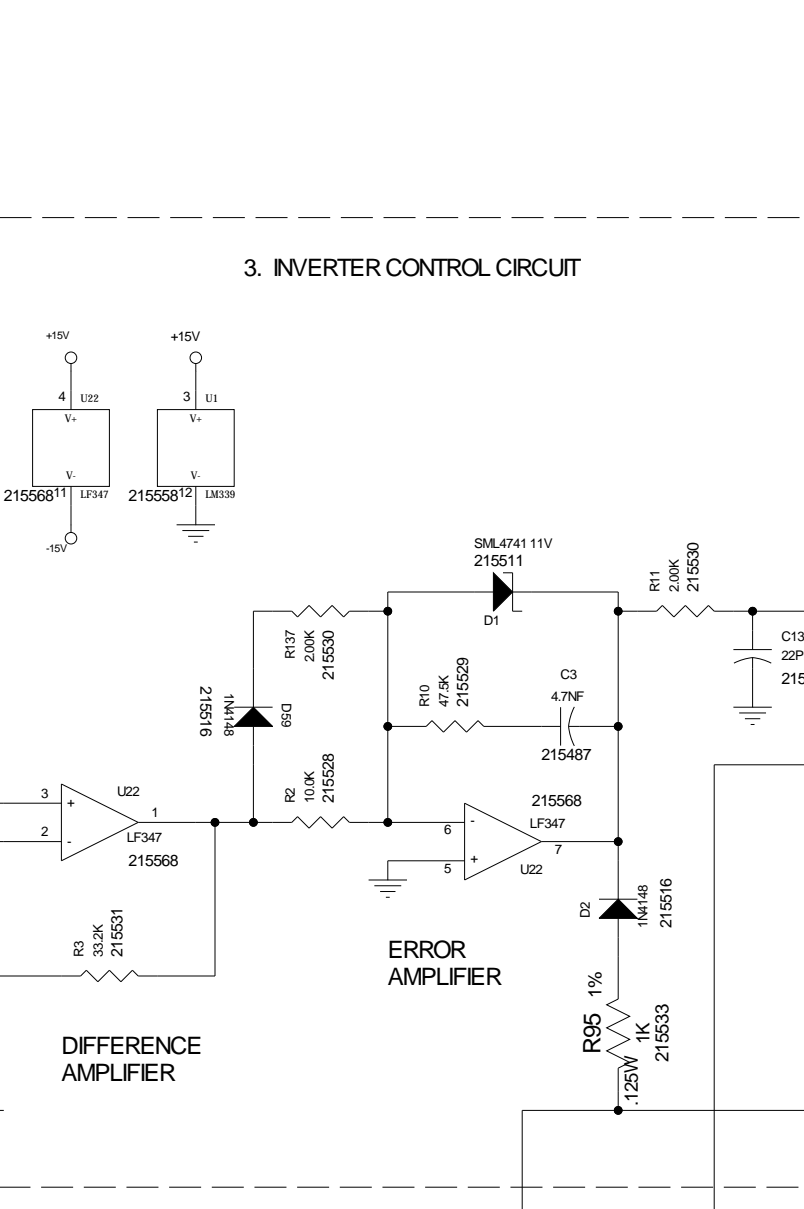
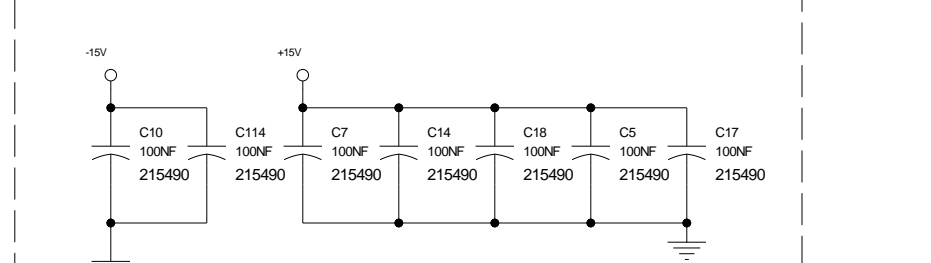
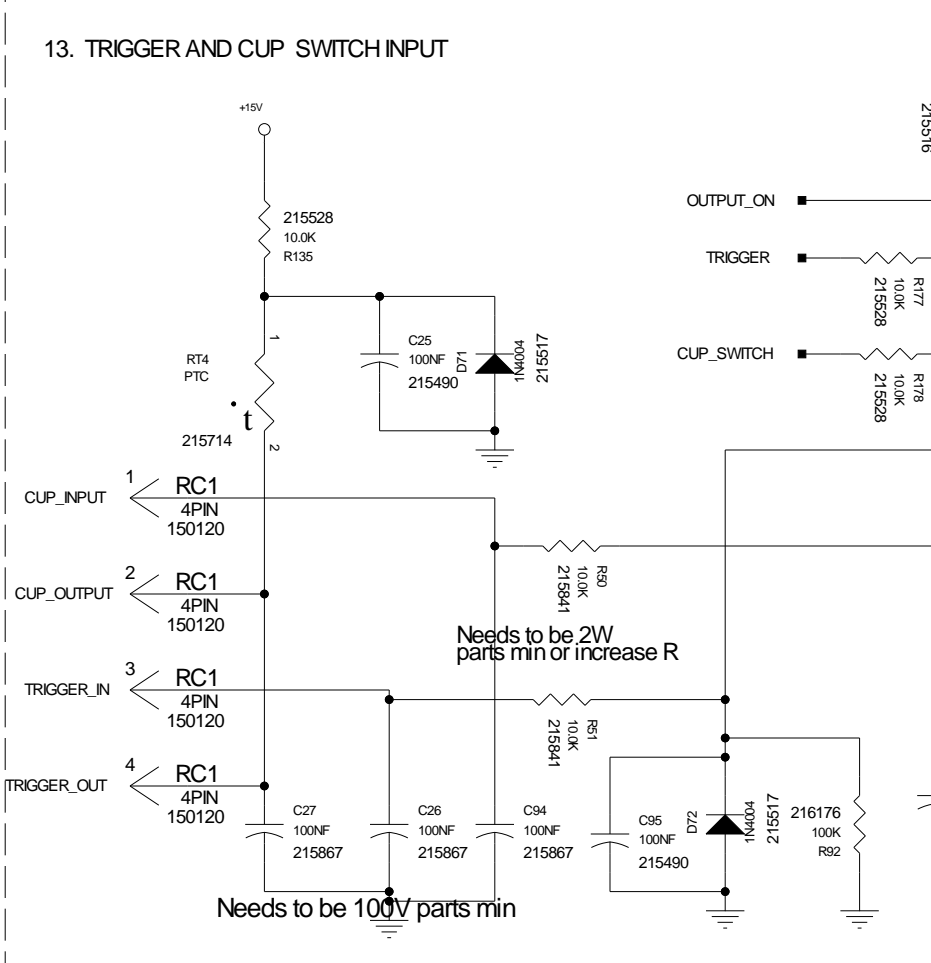
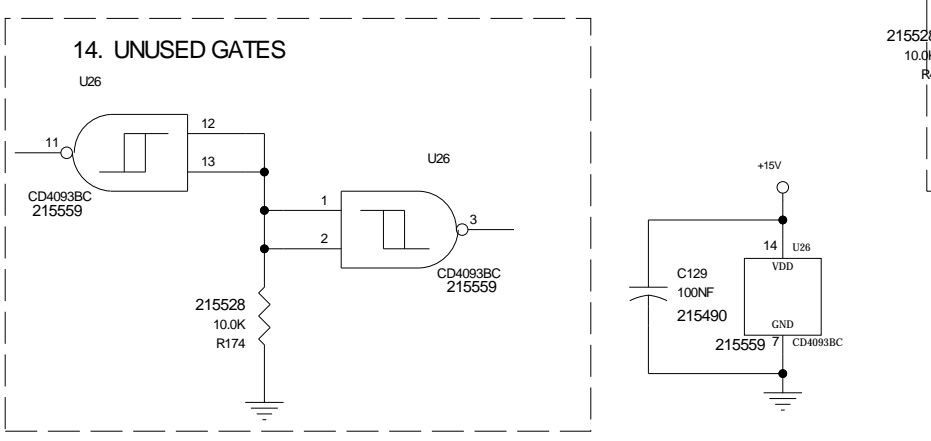
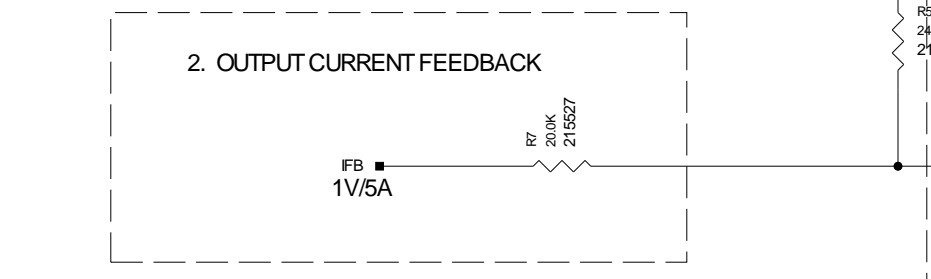
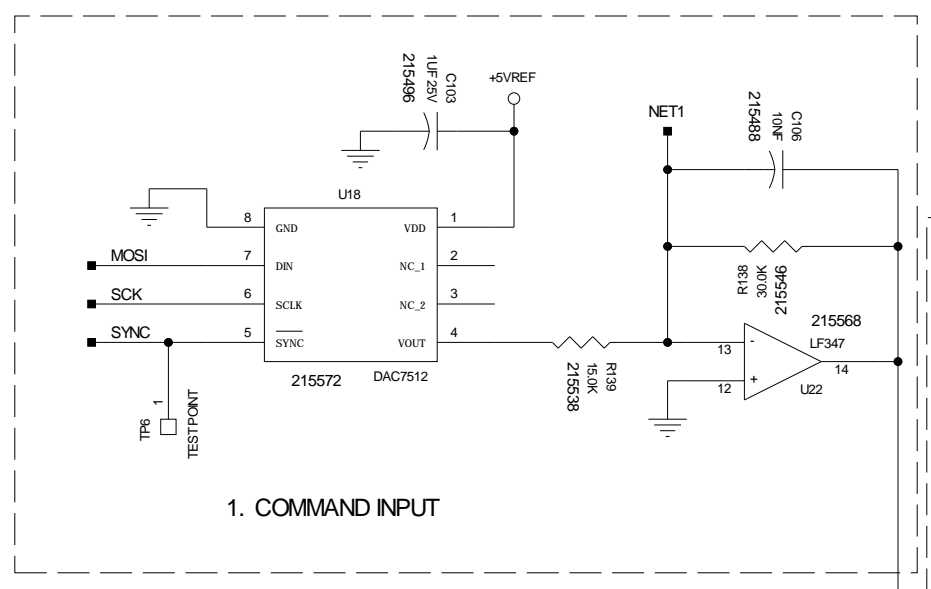
WARNING

ELECTRIC SHOCK HAZARD

- Do not touch live electrical parts.
- Disconnect input power or stop engine before servicing.
- Do not operate with covers removed.
- Have only qualified persons install, use, or service this unit.

| REV | DATE | BY | ECO | REVISION DESCRIPTION |
|-----|----------|-----|------|-----------------------------------|
| B | 01-31-07 | MJB | 2317 | CHANGE C128 TO 100 NF CAP, 215490 |
| A | 09-18-06 | MJB | 2229 | INITIAL RELEASE OF 18V RELAYBD |

| | | | | | | | | | |
|-----------------------------|----------|-------------------------------|---------|----------|---------|----------|------|------|--|
| TOLERANCES UNLESS SPECIFIED | | DEC +/- | | FRAC +/- | | ANLR +/- | | FNSH | |
| TITLE: | | CIRCUIT, PRINTED WIRING BOARD | | | | | | | |
| DRAWING NOT TO SCALE | | CONFIDENTIAL | | | | | | | |
| DRN. BY | JS / MJB | SIZE | C | DWG. NO. | 231 540 | | REV. | B | |
| DATE | 9-18-06 | FILENAME: | 231540B | SHEET | 2 OF 4 | | | | |



NOTE: XFMR PRIMARY MUST PASS THROUGH APERTURE OF CURRENT XFMR

ALL CIRCUITS ON THIS PAGE ARE PRIMARY REFERENCED UNLESS OTHERWISE NOTED

WARNING

- Do not touch live electrical parts.
- Disconnect input power or stop engine before servicing.
- Do not operate with covers removed.
- Have only qualified persons install, use, or service this unit.

ELECTRIC SHOCK HAZARD

| REV | DATE | BY | ECO | REVISION DESCRIPTION |
|-----|----------|-----|------|-----------------------------------|
| B | 01-31-07 | MJB | 2317 | CHANGE C128 TO 100 NF CAP, 215490 |
| A | 09-18-06 | MJB | 2229 | INITIAL RELEASE OF 18V RELAYBD |

TOLEANCES UNLESS SPECIFIED

DEC -#

FRAC -#

ANLR -#

FNSH

Miller Electric Mfg. Co., Appleton, WI, USA

TITLE: **CIRCUIT, PRINTED WIRING BOARD SPECTRUM 375 X-TREME CONTROL**

DRAWING NOT TO SCALE

CONFIDENTIAL

DRN. BY JS/MJB

DATE 09-18-06

SIZE C

DWG. NO. 231 540

REV. B

FILENAME: 231540B

SHEET 4 OF 4