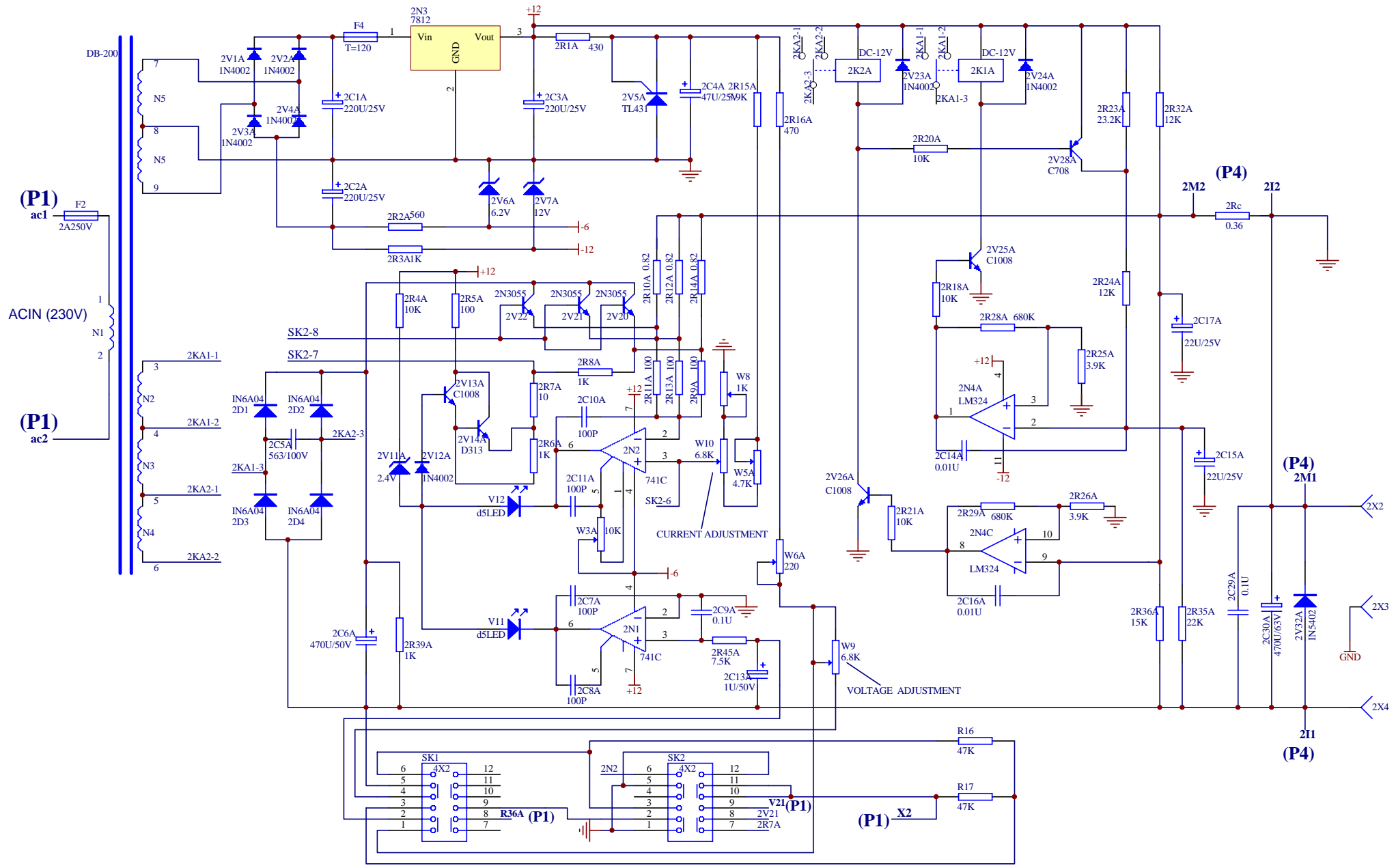
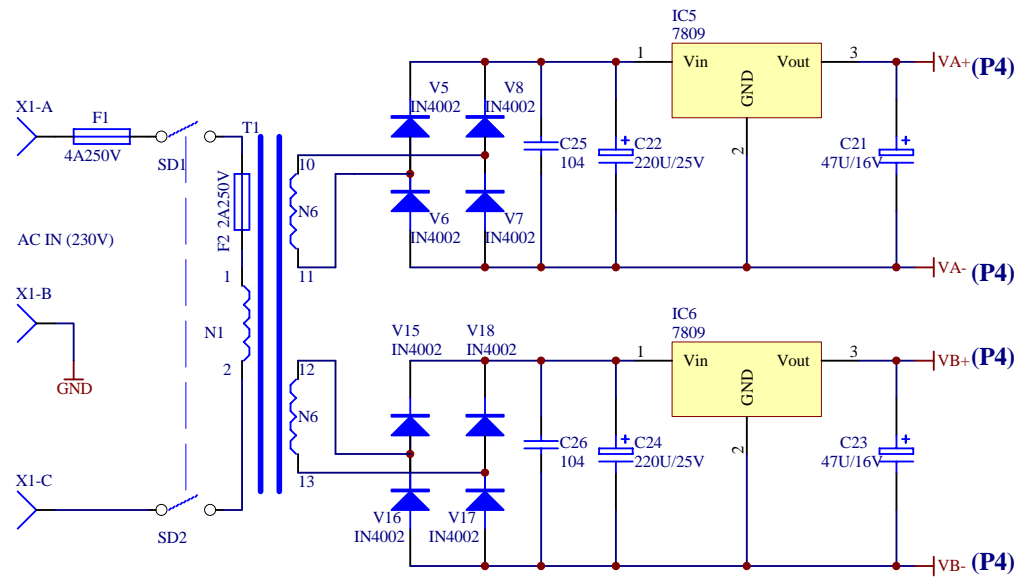


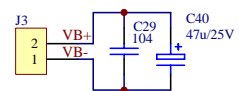
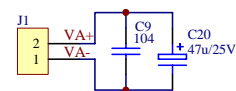
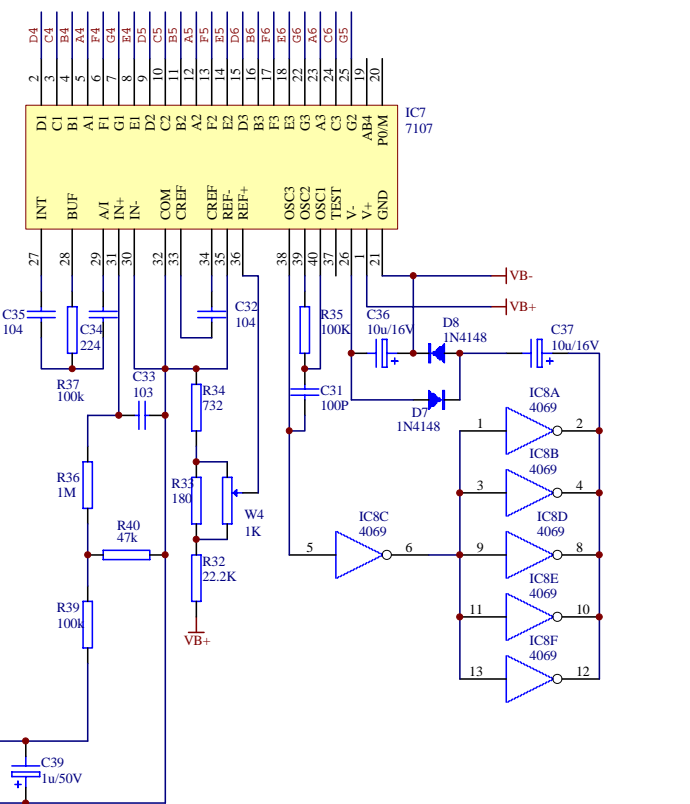
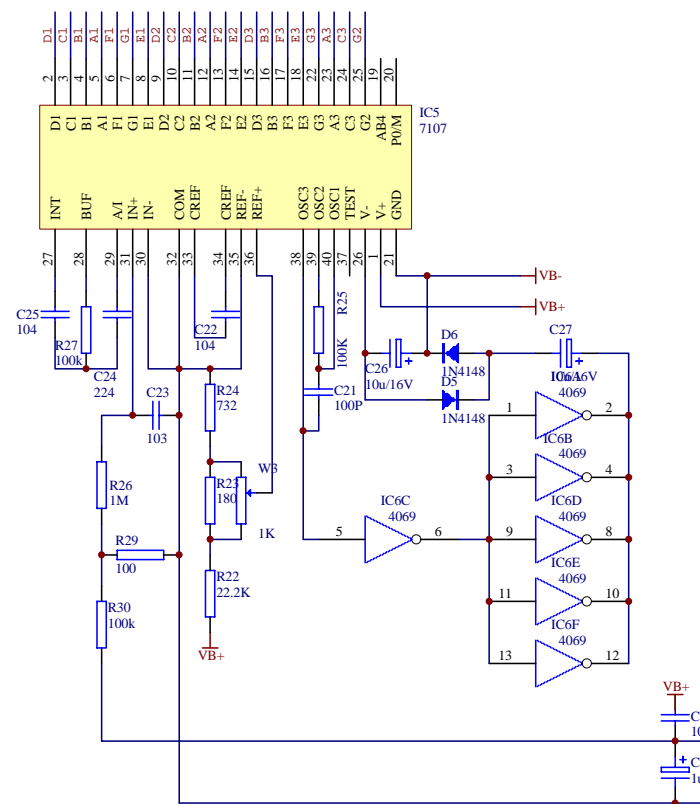
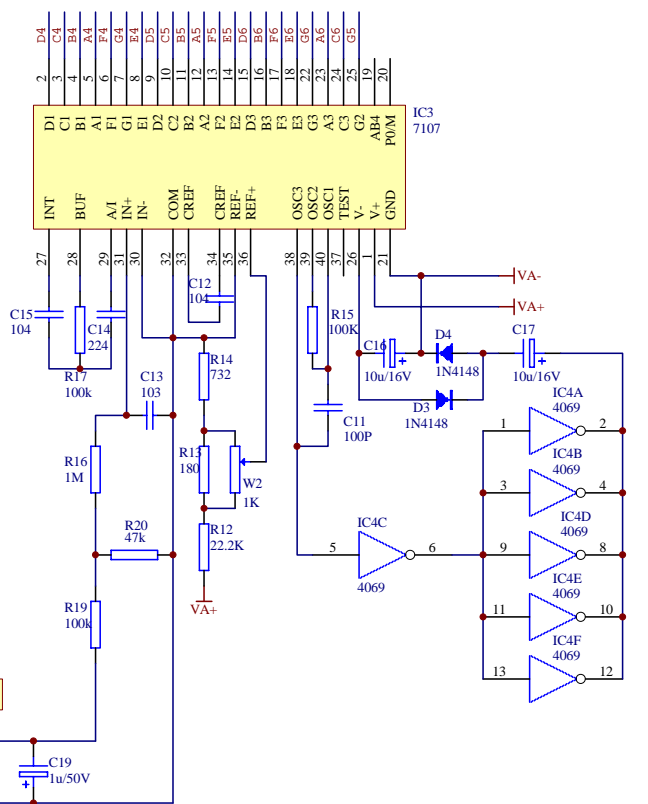
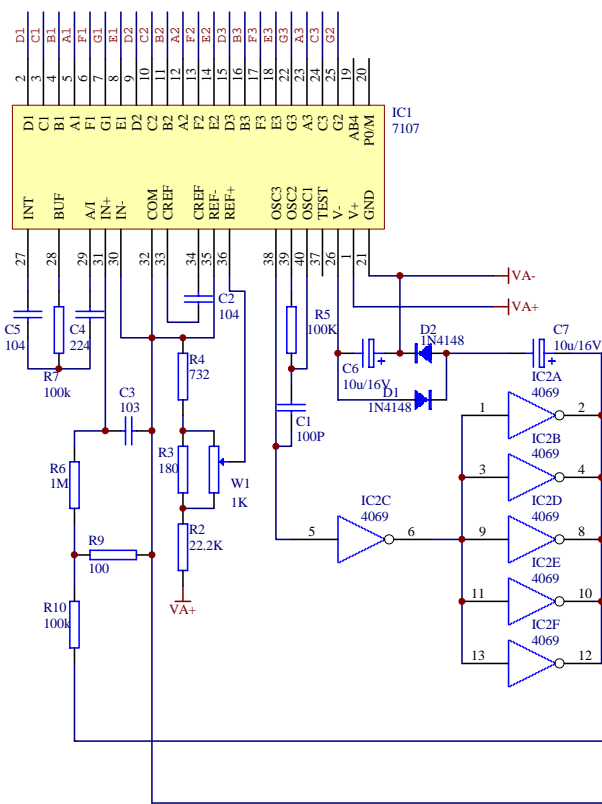
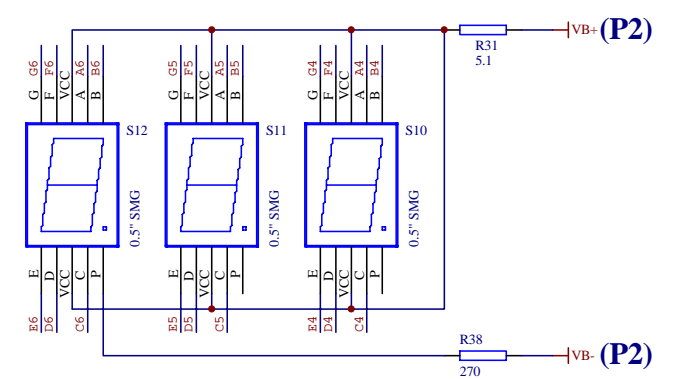
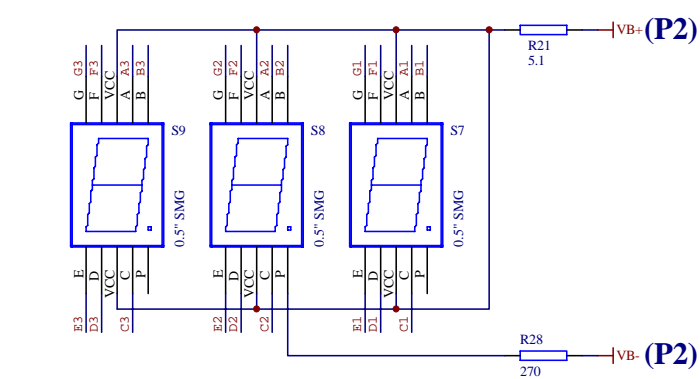
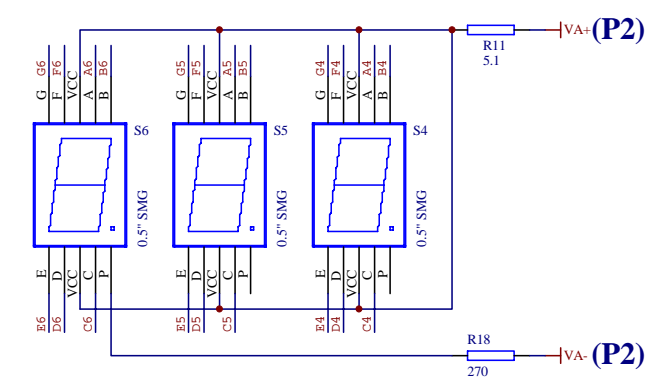
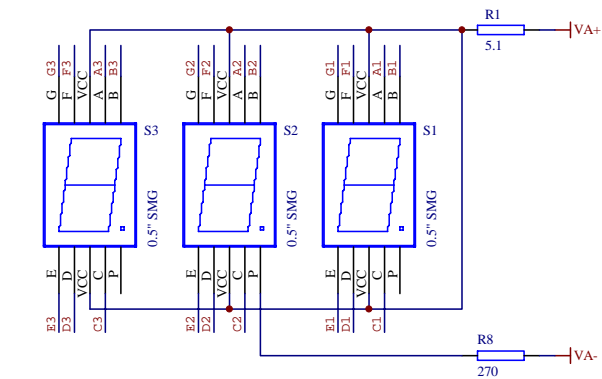
Title	HY3005F-3 Master Circuit Diagram
Number	P1
<i>Only for Reference</i>	



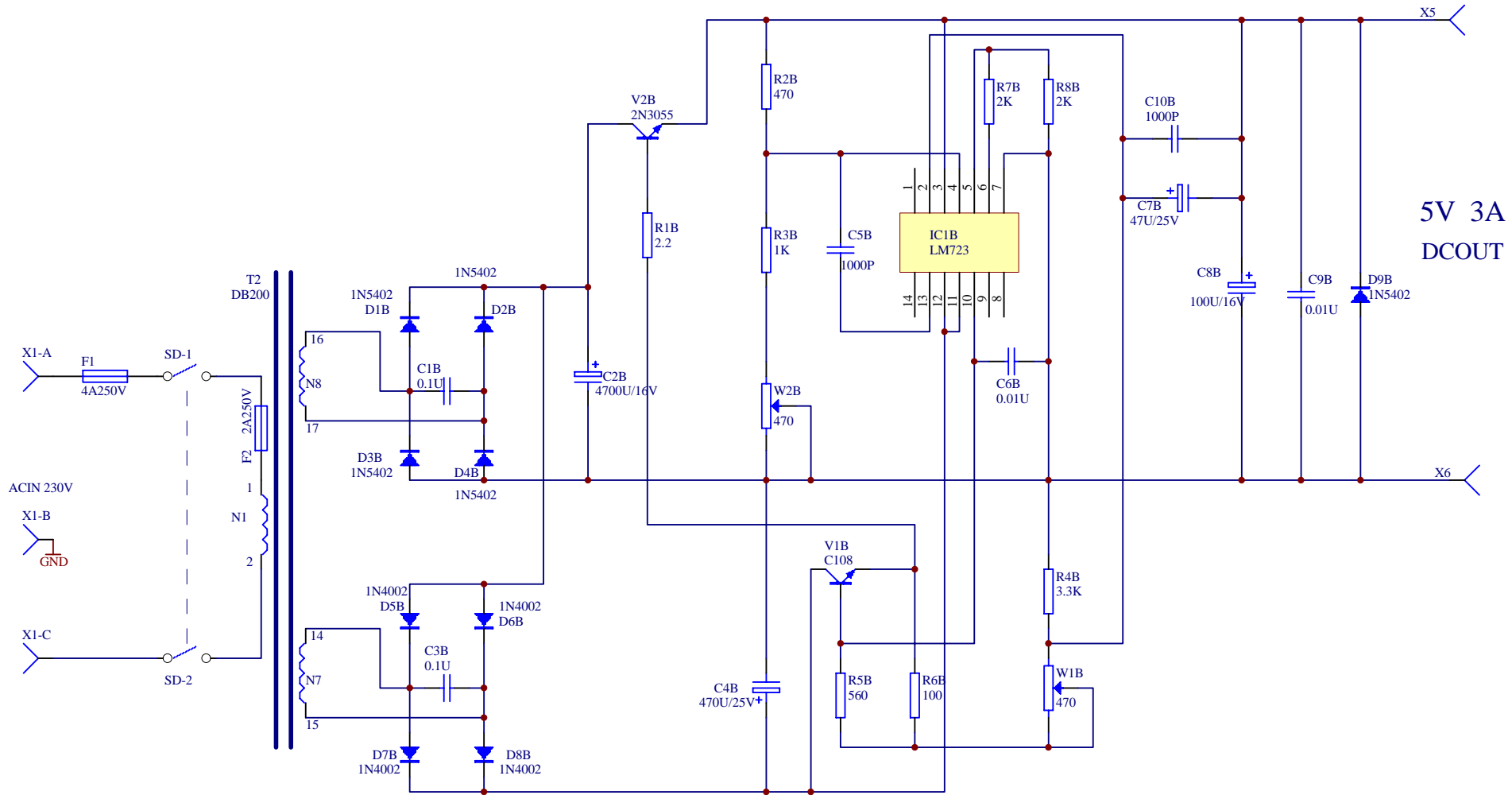
Title	HY3005F-3 Control Circuit Diagram
Number	P2
<i>Only for Reference</i>	



Title	HY3005F-3 Power Supply Circuit Diagram
Number	P3
<i>Only for Reference</i>	



Title	HY3005F-3 Display Circuit Diagram
Number	P4
<i>Only for Reference</i>	



5V 3A
DCOUT

Title	HY3005F-3 Fixed Output Circuit Diagram
Number	P5
<i>Only for Reference</i>	